



# LEFROY BROOKS

IBROC HOUSE ESSEX ROAD  
HODDESDON HERTS EN11 0QS UK  
T: +44 (0)1992 708 316 F: +44 (0)1992 708 317

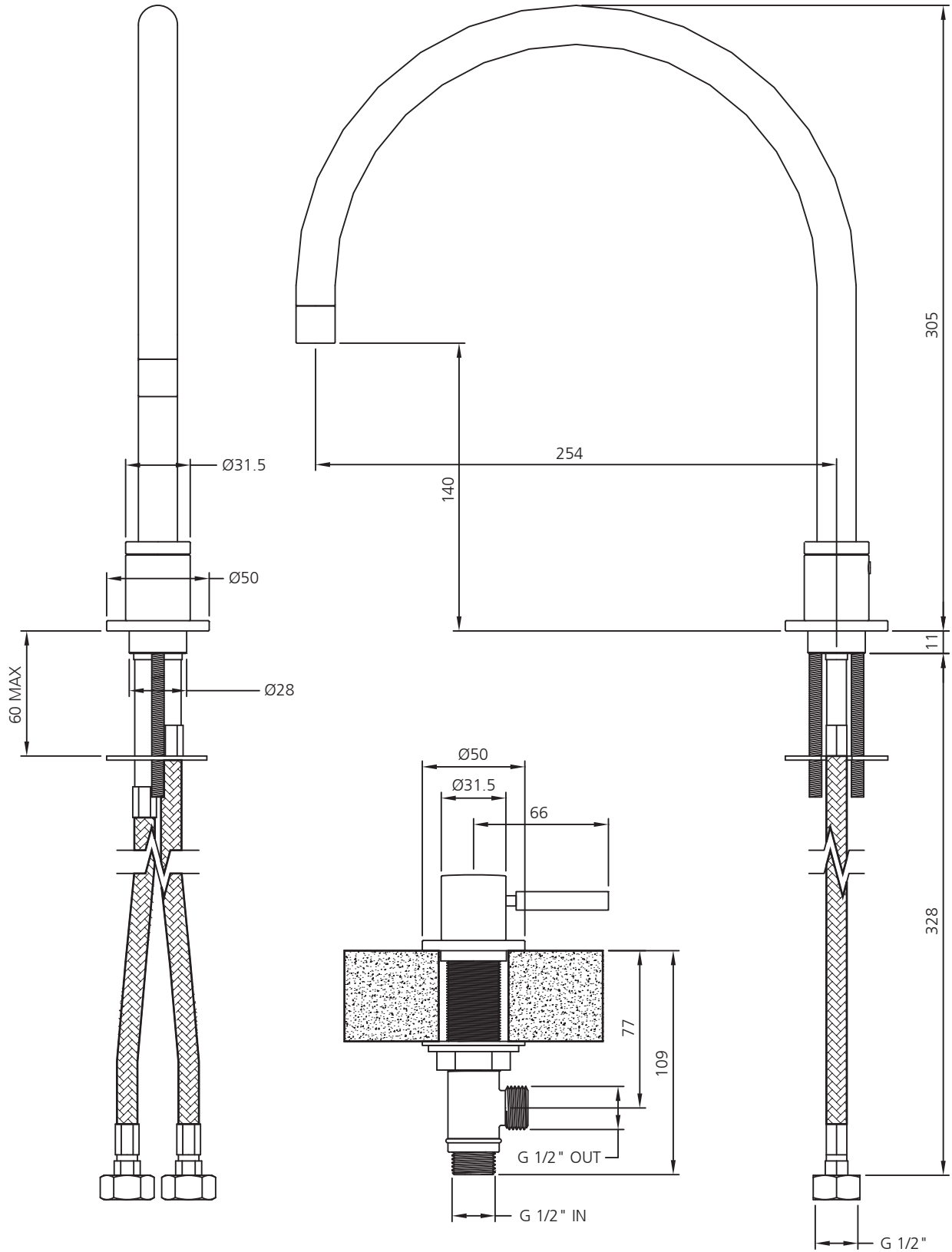
## XO-4140

KITCHEN 3-HOLE DECK MOUNTED SET

### DIMENSIONAL DATA SHEET

DATE: 8 September 2010

NUMBER: 30 069 4140 B



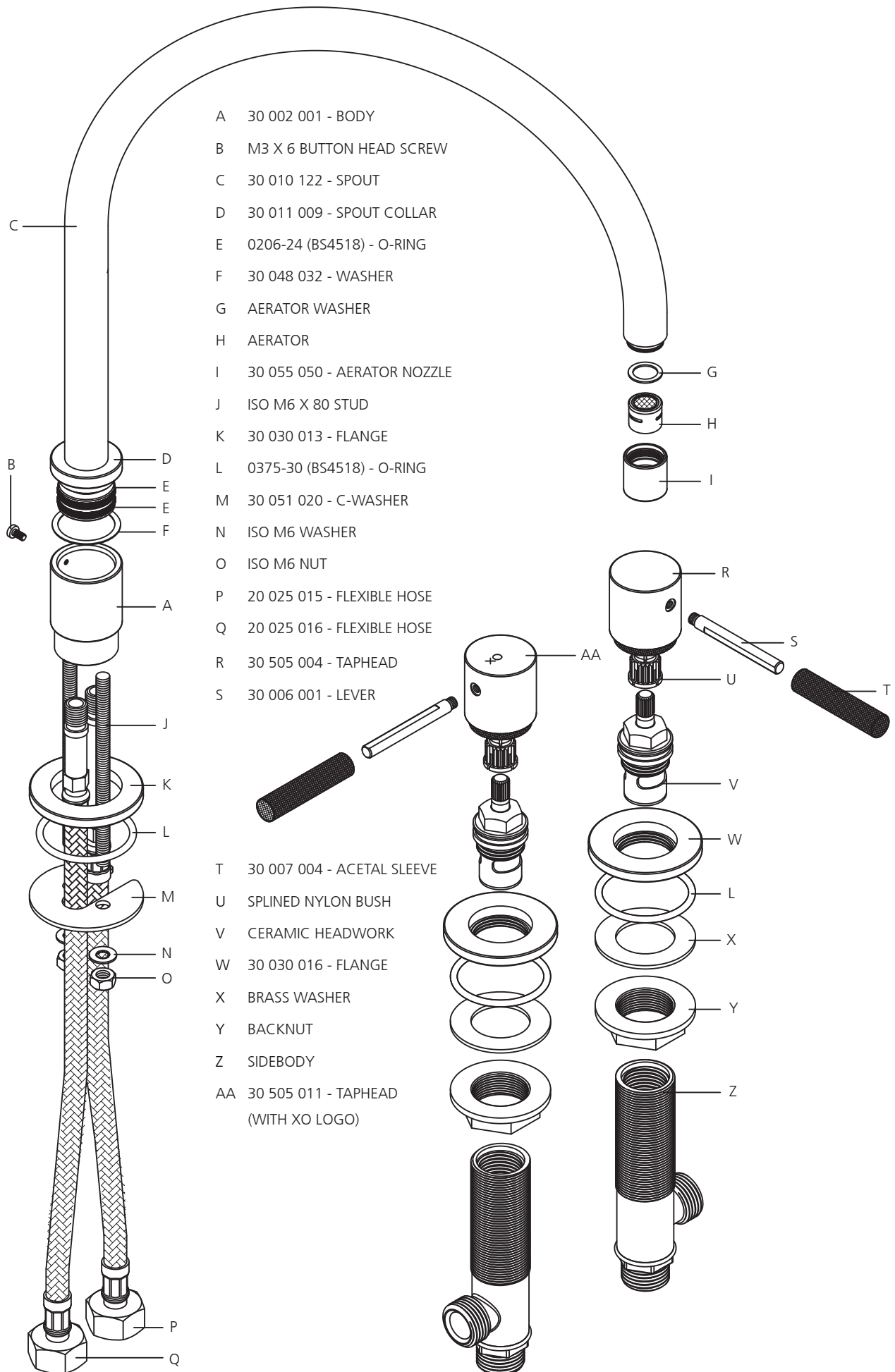
©COPYRIGHT 2001-2010. CHRISTO LEFROY BROOKS. ALL RIGHTS RESERVED.

DIMENSIONS IN MILLIMETRES

WHILST EVERY EFFORT IS MADE TO ENSURE THE ACCURACY OF THESE DATA SHEETS THEY ARE SUBJECT TO CHANGE WITHOUT NOTICE AS PART OF THE COMPANY'S PRODUCT DEVELOPMENT PROCESS

# XO-4140

## KITCHEN 3-HOLE DECK MOUNTED SET



- A 30 002 001 - BODY
- B M3 X 6 BUTTON HEAD SCREW
- C 30 010 122 - SPOUT
- D 30 011 009 - SPOUT COLLAR
- E 0206-24 (BS4518) - O-RING
- F 30 048 032 - WASHER
- G AERATOR WASHER
- H AERATOR
- I 30 055 050 - AERATOR NOZZLE
- J ISO M6 X 80 STUD
- K 30 030 013 - FLANGE
- L 0375-30 (BS4518) - O-RING
- M 30 051 020 - C-WASHER
- N ISO M6 WASHER
- O ISO M6 NUT
- P 20 025 015 - FLEXIBLE HOSE
- Q 20 025 016 - FLEXIBLE HOSE
- R 30 505 004 - TAPHEAD
- S 30 006 001 - LEVER
- T 30 007 004 - ACETAL SLEEVE
- U SPLINED NYLON BUSH
- V CERAMIC HEADWORK
- W 30 030 016 - FLANGE
- X BRASS WASHER
- Y BACKNUT
- Z SIDEBODY
- AA 30 505 011 - TAPHEAD  
(WITH XO LOGO)